

Grilles are included with the "i" version; they are optional for the "cf" version (use Reference model 9633gr).
WARRANTY: Reference Series speakers are warranted against defects. The duration of the speaker's warranty depends on the laws in the country in which it was purchased. Your local Infinity car audio retailer can help you determine the length of your warranty. To register your product, please visit us at www.infinitysystems.com.

Model	Type	Impedance	Power Handling, RMS	Power Handling, Peak	Frequency Response	Sensitivity (2.83V, 1m)
9633gr	6" x 9" 3-Way NO GRILLE	2 Ohms	100W	300W	46Hz – 30kHz	94dB
9633cf	6" x 9" 3-Way	2 Ohms	100W	300W	46Hz – 30kHz	94dB
9633i	6" x 9" 3-Way	2 Ohms	100W	300W	46Hz – 30kHz	94dB

SPECIFICATIONS

Grilles are included with the "i" version; they are optional for the "cf" version (use Reference model 9633gr).
WARRANTY: Reference Series speakers are warranted against defects. The duration of the speaker's warranty depends on the laws in the country in which it was purchased. Your local Infinity car audio retailer can help you determine the length of your warranty. To register your product, please visit us at www.infinitysystems.com.

Model	Type	Impedance	Power Handling, RMS	Power Handling, Peak	Frequency Response	Sensitivity (2.83V, 1m)
9633gr	6" x 9" 3-Way NO GRILLE	2 Ohms	100W	300W	46Hz – 30kHz	94dB
9633cf	6" x 9" 3-Way	2 Ohms	100W	300W	46Hz – 30kHz	94dB
9633i	6" x 9" 3-Way	2 Ohms	100W	300W	46Hz – 30kHz	94dB

SPECIFICATIONS

Grilles are included with the "i" version; they are optional for the "cf" version (use Reference model 9633gr).
WARRANTY: Reference Series speakers are warranted against defects. The duration of the speaker's warranty depends on the laws in the country in which it was purchased. Your local Infinity car audio retailer can help you determine the length of your warranty. To register your product, please visit us at www.infinitysystems.com.

Model	Type	Impedance	Power Handling, RMS	Power Handling, Peak	Frequency Response	Sensitivity (2.83V, 1m)
9633gr	6" x 9" 3-Way NO GRILLE	2 Ohms	100W	300W	46Hz – 30kHz	94dB
9633cf	6" x 9" 3-Way	2 Ohms	100W	300W	46Hz – 30kHz	94dB
9633i	6" x 9" 3-Way	2 Ohms	100W	300W	46Hz – 30kHz	94dB

SPECIFICATIONS

Grilles are included with the "i" version; they are optional for the "cf" version (use Reference model 9633gr).
WARRANTY: Reference Series speakers are warranted against defects. The duration of the speaker's warranty depends on the laws in the country in which it was purchased. Your local Infinity car audio retailer can help you determine the length of your warranty. To register your product, please visit us at www.infinitysystems.com.

Model	Type	Impedance	Power Handling, RMS	Power Handling, Peak	Frequency Response	Sensitivity (2.83V, 1m)
9633gr	6" x 9" 3-Way NO GRILLE	2 Ohms	100W	300W	46Hz – 30kHz	94dB
9633cf	6" x 9" 3-Way	2 Ohms	100W	300W	46Hz – 30kHz	94dB
9633i	6" x 9" 3-Way	2 Ohms	100W	300W	46Hz – 30kHz	94dB

SPECIFICATIONS

Grilles are included with the "i" version; they are optional for the "cf" version (use Reference model 9633gr).
WARRANTY: Reference Series speakers are warranted against defects. The duration of the speaker's warranty depends on the laws in the country in which it was purchased. Your local Infinity car audio retailer can help you determine the length of your warranty. To register your product, please visit us at www.infinitysystems.com.

Model	Type	Impedance	Power Handling, RMS	Power Handling, Peak	Frequency Response	Sensitivity (2.83V, 1m)
9633gr	6" x 9" 3-Way NO GRILLE	2 Ohms	100W	300W	46Hz – 30kHz	94dB
9633cf	6" x 9" 3-Way	2 Ohms	100W	300W	46Hz – 30kHz	94dB
9633i	6" x 9" 3-Way	2 Ohms	100W	300W	46Hz – 30kHz	94dB

SPECIFICATIONS

Grilles are included with the "i" version; they are optional for the "cf" version (use Reference model 9633gr).
WARRANTY: Reference Series speakers are warranted against defects. The duration of the speaker's warranty depends on the laws in the country in which it was purchased. Your local Infinity car audio retailer can help you determine the length of your warranty. To register your product, please visit us at www.infinitysystems.com.

Model	Type	Impedance	Power Handling, RMS	Power Handling, Peak	Frequency Response	Sensitivity (2.83V, 1m)
9633gr	6" x 9" 3-Way NO GRILLE	2 Ohms	100W	300W	46Hz – 30kHz	94dB
9633cf	6" x 9" 3-Way	2 Ohms	100W	300W	46Hz – 30kHz	94dB
9633i	6" x 9" 3-Way	2 Ohms	100W	300W	46Hz – 30kHz	94dB

SPECIFICATIONS

SPECIFICATIONS

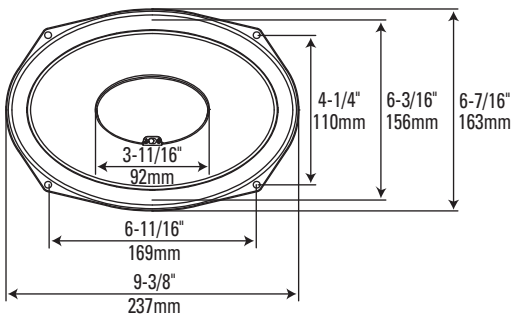
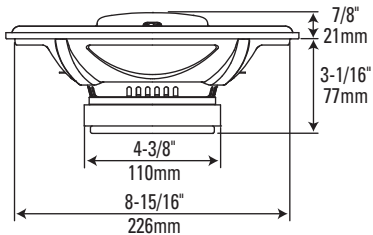
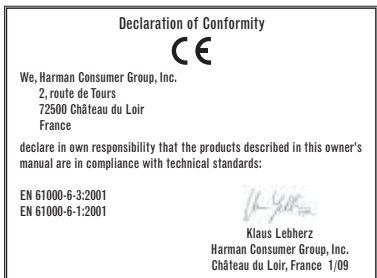
	9633i	9633cf	9633gr
Type:	6" x 9" 3-Way	6" x 9" 3-Way NO GRILLE	GRILLE ONLY for 6" x 9"
Impedance:	2 Ohms	2 Ohms	2 Ohms
Power Handling, RMS:	100W	100W	100W
Power Handling, Peak:	300W	300W	300W
Frequency Response:	46Hz – 30kHz	46Hz – 30kHz	46Hz – 30kHz
Sensitivity (2.83V, 1m):	94dB	94dB	94dB

Grilles are included with the "i" version; they are optional for the "cf" version (use Reference model 9633gr).
WARRANTY: Reference Series speakers are warranted against defects. The duration of the speaker's warranty depends on the laws in the country in which it was purchased. Your local Infinity car audio retailer can help you determine the length of your warranty. To register your product, please visit us at www.infinitysystems.com.

SPECIFICATIONS

	9633i	9633cf	9633gr
Type:	6" x 9" 3-Way	6" x 9" 3-Way NO GRILLE	GRILLE ONLY for 6" x 9"
Impedance:	2 Ohms	2 Ohms	2 Ohms
Power Handling, RMS:	100W	100W	100W
Power Handling, Peak:	300W	300W	300W
Frequency Response:	46Hz – 30kHz	46Hz – 30kHz	46Hz – 30kHz
Sensitivity (2.83V, 1m):	94dB	94dB	94dB

Grilles are included with the "i" version; they are optional for the "cf" version (use Reference model 9633gr).
WARRANTY: Reference Series speakers are warranted against defects. The duration of the speaker's warranty depends on the laws in the country in which it was purchased. Your local Infinity car audio retailer can help you determine the length of your warranty. To register your product, please visit us at www.infinitysystems.com.



Designed and engineered in the USA. Conception et design aux É.U.A.

A valid serial number is required for warranty coverage. Un numéro de série valable est exigé pour la couverture de la garantie.

Features, specifications and appearance are subject to change without notice.

Les dispositifs, les caractéristiques et l'aspect sont sujets au changement sans communication préalable.

Harman International, Consumer Division, 8500 Balboa Boulevard, Northridge, CA 91329 USA

www.infinitysystems.com

© 2009 Harman International Industries, Incorporated. All rights reserved. Tous droits réservés. • Part No. REF96330M1/09

Infinity is a trademark of Harman International Industries, Incorporated, registered in the United States and/or other countries.

Infinity est une marque commerciale de Harman International Industries, Incorporated, déposée aux États-Unis et/ou dans d'autres pays.



Grilles are included with the "i" version; they are optional for the "cf" version (use Reference model 9633gr).
WARRANTY: Reference Series speakers are warranted against defects. The duration of the speaker's warranty depends on the laws in the country in which it was purchased. Your local Infinity car audio retailer can help you determine the length of your warranty. To register your product, please visit us at www.infinitysystems.com.

Model	Type	Impedance	Power Handling, RMS	Power Handling, Peak	Frequency Response	Sensitivity (2.83V, 1m)
9633gr	6" x 9" 3-Way NO GRILLE	2 Ohms	100W	300W	46Hz – 30kHz	94dB
9633cf	6" x 9" 3-Way	2 Ohms	100W	300W	46Hz – 30kHz	94dB
9633i	6" x 9" 3-Way	2 Ohms	100W	300W	46Hz – 30kHz	94dB

SPECIFICATIONS

Grilles are included with the "i" version; they are optional for the "cf" version (use Reference model 9633gr).
WARRANTY: Reference Series speakers are warranted against defects. The duration of the speaker's warranty depends on the laws in the country in which it was purchased. Your local Infinity car audio retailer can help you determine the length of your warranty. To register your product, please visit us at www.infinitysystems.com.

Model	Type	Impedance	Power Handling, RMS	Power Handling, Peak	Frequency Response	Sensitivity (2.83V, 1m)
9633gr	6" x 9" 3-Way NO GRILLE	2 Ohms	100W	300W	46Hz – 30kHz	94dB
9633cf	6" x 9" 3-Way	2 Ohms	100W	300W	46Hz – 30kHz	94dB
9633i	6" x 9" 3-Way	2 Ohms	100W	300W	46Hz – 30kHz	94dB

SPECIFICATIONS

Grilles are included with the "i" version; they are optional for the "cf" version (use Reference model 9633gr).
WARRANTY: Reference Series speakers are warranted against defects. The duration of the speaker's warranty depends on the laws in the country in which it was purchased. Your local Infinity car audio retailer can help you determine the length of your warranty. To register your product, please visit us at www.infinitysystems.com.

Model	Type	Impedance	Power Handling, RMS	Power Handling, Peak	Frequency Response	Sensitivity (2.83V, 1m)
9633gr	6" x 9" 3-Way NO GRILLE	2 Ohms	100W	300W	46Hz – 30kHz	94dB
9633cf	6" x 9" 3-Way	2 Ohms	100W	300W	46Hz – 30kHz	94dB
9633i	6" x 9" 3-Way	2 Ohms	100W	300W	46Hz – 30kHz	94dB

SPECIFICATIONS

